



HAM-LET PLUG VALVES

PLV SERIES



PLV FEATURES

- Tight shut-off with throttling capability
- One piece body design
- Replaceable plug assembly
- Stainless steel and brass construction
- MAWP 3000 psi (206 bar)
- MAWT 400°F (204°C)
- Variable end connection types & sizes from 1/8" to 1/2" (6mm to 12mm)
- Colored nylon handles
- Low-operating torque
- Easy to maintain & clean
- Choice of o-rings for chemical compatibility
- Passivated body

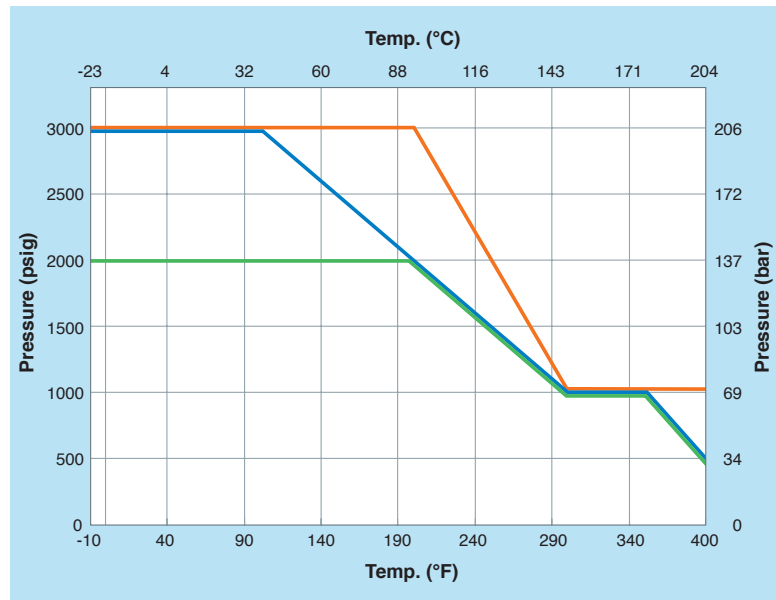
MATERIALS OF CONSTRUCTION

No.	Part	Qty	Material	
			Stainless Steel	Brass
1	Handle	1	Polythermide	
2	Pin	1	SST 316	
3	Plug*	1	PTFE Coated SST 316 A479	PTFE Coated Brass ASTM B-16
4	O-rings*	2	PTFE Coated Fluorocarbon FKM	
5	O-ring*	1	PTFE Coated Fluorocarbon FKM	
6	Pin	1	St.St.316	
7	Body*	1	SST 316 A479	Brass ASTM B-16
8	Retaining Ring	1	PH 15-7 Mo SST	
	Lubricant		Silicone Based	

*Wetted Parts

PRESSURE TEMPERATURE RATING

Based on PTFE Coated Fluorocarbon FKM O-rings.

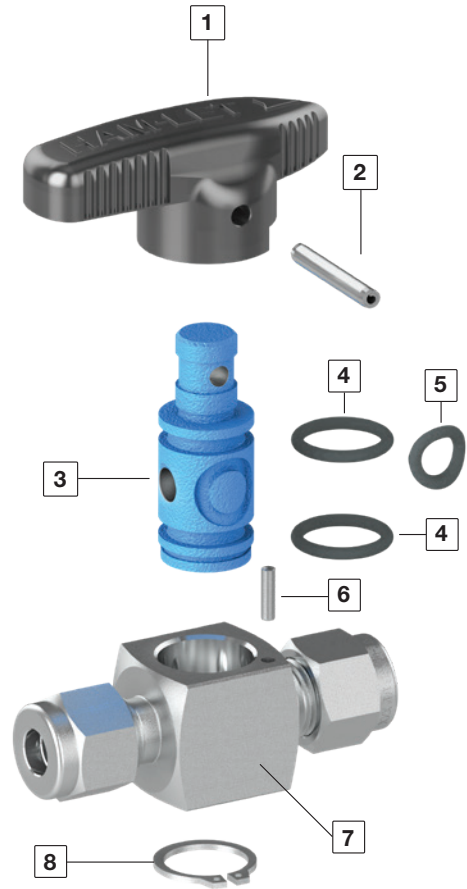


— St.St. PLV4 & PLV6 — Brass PLV4 — Brass PLV6

GENERAL

The PLV series offers a manually operated plug valve that features tight shut-off with high-pressure throttling capability, long life cycle service and low-operating torque.

The plug valve is rated to 3000 psig making it an optimal choice for a variety of instrumentation systems such as sampling, analytical purging and cleaning applications.



O-RINGS

Different materials available for special applications.

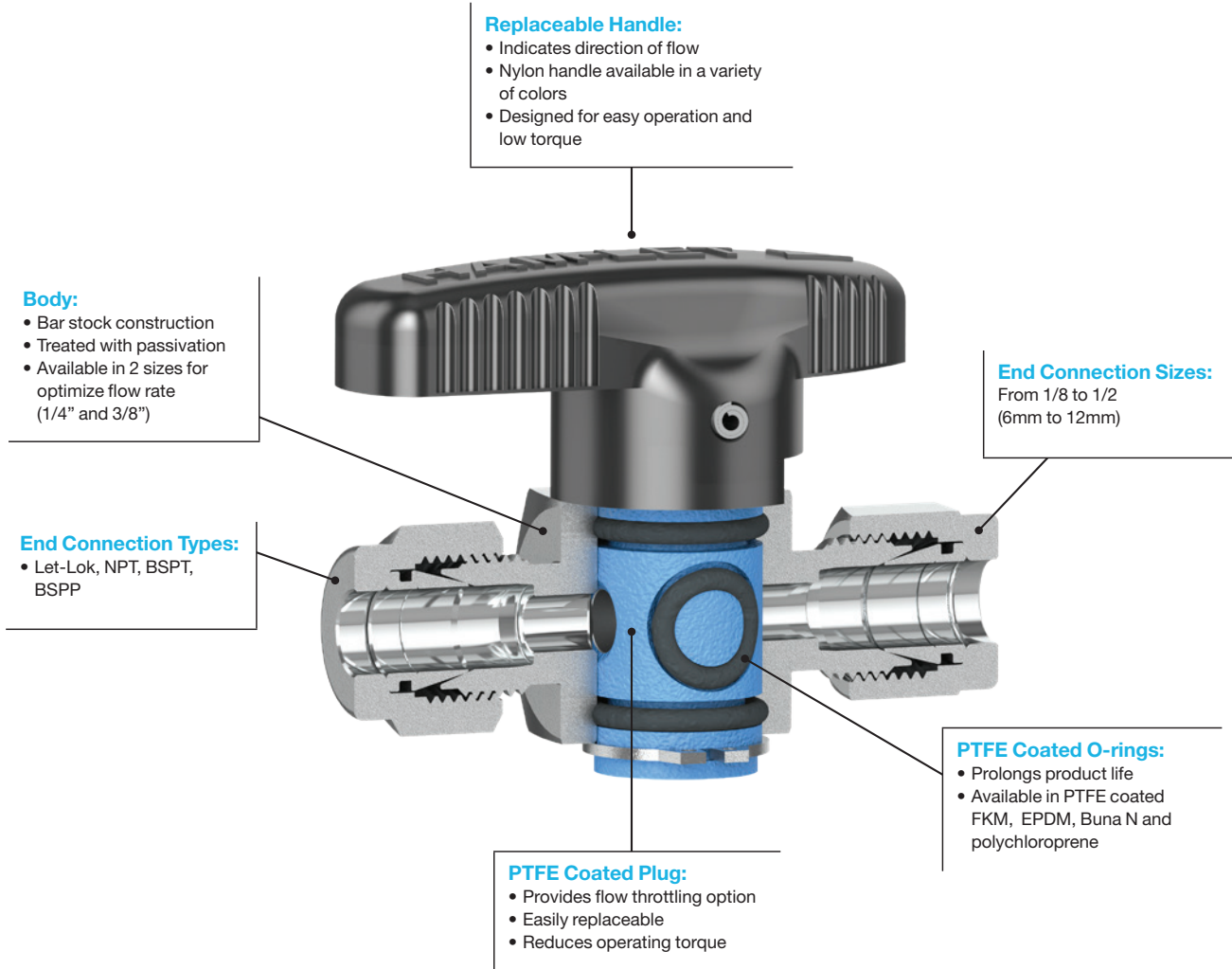
O-ring Material	Temperature Rating °F (°C)
PTFE coated Buna N	-10 to 250 (-23 to 121)
PTFE coated EPDM	-50 to 300 (-45 to 148)
PTFE coated Fluorocarbon FKM	-10 to 400 (-23 to 204)
PTFE coated Polychloroprene (CR)	-40 to 250 (-40 to 121)

TESTING

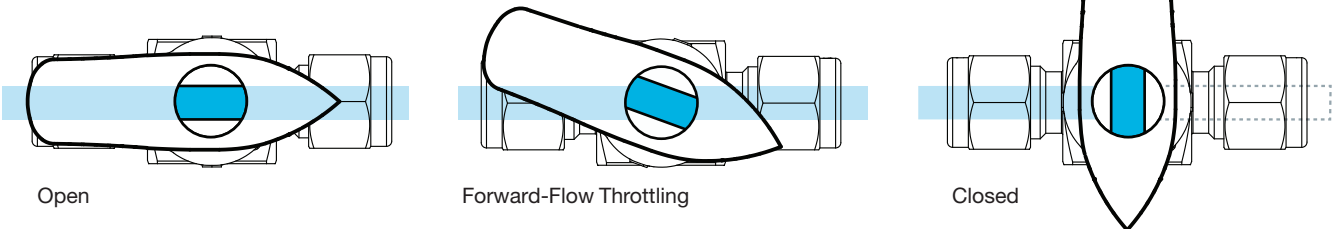
The plug valve design is burst and proof tested. Standard testing for each plug valve includes testing with nitrogen at 1000 & 80 psig. Each valve is tested for leakage through the shell and plug O-Rings. The maximum allowable leakage across the ball seats is 0.1 std cc/min.

CLEANING & PACKAGING

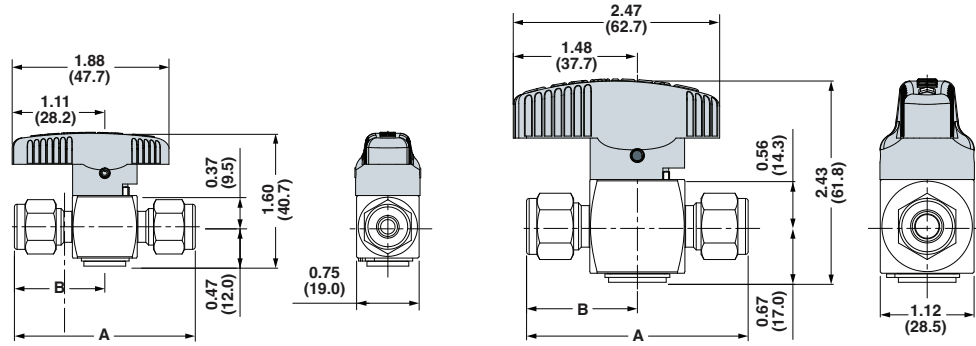
Every Plug valve is cleaned in accordance with standard cleaning and packaging (procedure 8184). Oxygen Clean & Lubricant-Free cleaning and packaging, in accordance with special cleaning and packaging (procedure 8185), is an option. Lubricant-free cleaned valves have significantly higher actuation torque.



OPERATION



- Valve is capable of bi-directional flow (please note maximum differential pressure is limited to 150 psig when flow is reversed).
- Reverse-flow throttling may damage O-ring.

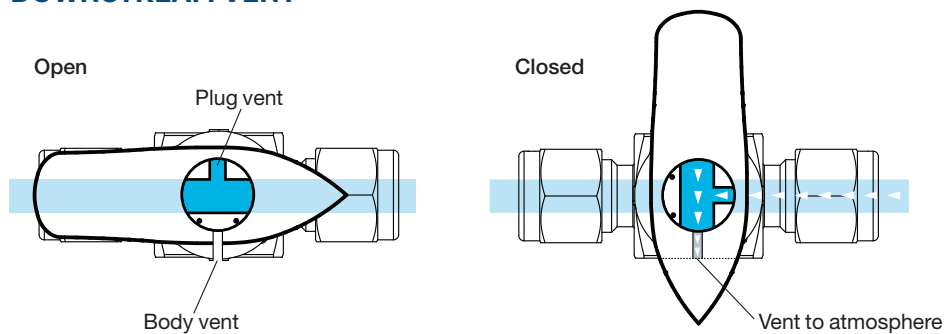


PLV STANDARD CONFIGURATION DIMENSIONS

Series	End Connection Type	Size inch	CV	Orifice		Dimensions			
				mm	inch	A		B	
					mm	inch	mm	inch	
PLV4	Let-Lok® Imperial	1/8	0.1	2.3	0.093	50.5	1.99	25.3	0.99
PLV4		1/4	1.6	4.4	0.172	55.1	2.17	27.6	1.08
PLV4		3/8	1.1	4.4	0.172	58.2	2.29	29.1	1.14
PLV6			6.4	7.2	0.283	67.6	2.66	33.8	1.33
PLV6		1/2	4.4	7.2	0.283	73.2	2.88	36.6	1.44
PLV4	Let-Lok Metric	6mm	1.6	4.4	0.172	55.1	2.17	27.6	1.08
PLV6		8mm	6.4	7.2	0.283	67.6	2.66	33.8	1.33
PLV6		10mm	6.4	7.2	0.283	68.1	2.68	34	1.34
PLV6		12mm	4.8	7.2	0.283	75.2	2.96	37.6	1.48
PLV4	Female NPT/BSPT	1/8	1.2	4.4	0.172	45.2	1.78	22.6	0.89
PLV4		1/4	0.9	4.4	0.172	53.1	2.09	26.6	1.05
PLV6			4.3	7.2	0.283	60.5	2.38	30.3	1.19
PLV6	1/2	2.7	7.2	0.283	73.2	2.88	36.6	1.44	
PLV4	Male NPT/BSPT	1/8	1	4.4	0.172	38.9	1.53	19.5	0.76
PLV4		1/4	1	4.4	0.172	48.3	1.9	24.2	0.95
PLV6		1/2	2.4	7.2	0.283	67.1	2.64	33.5	1.32
PLV4	Male NPT to Let-Lok	1/4	0.9	4.4	0.172	51.2	2.03	25.6	1.01
PLV4	Male to Female NPT	1/4	1	4.4	0.172	50.8	2	25.4	1.00

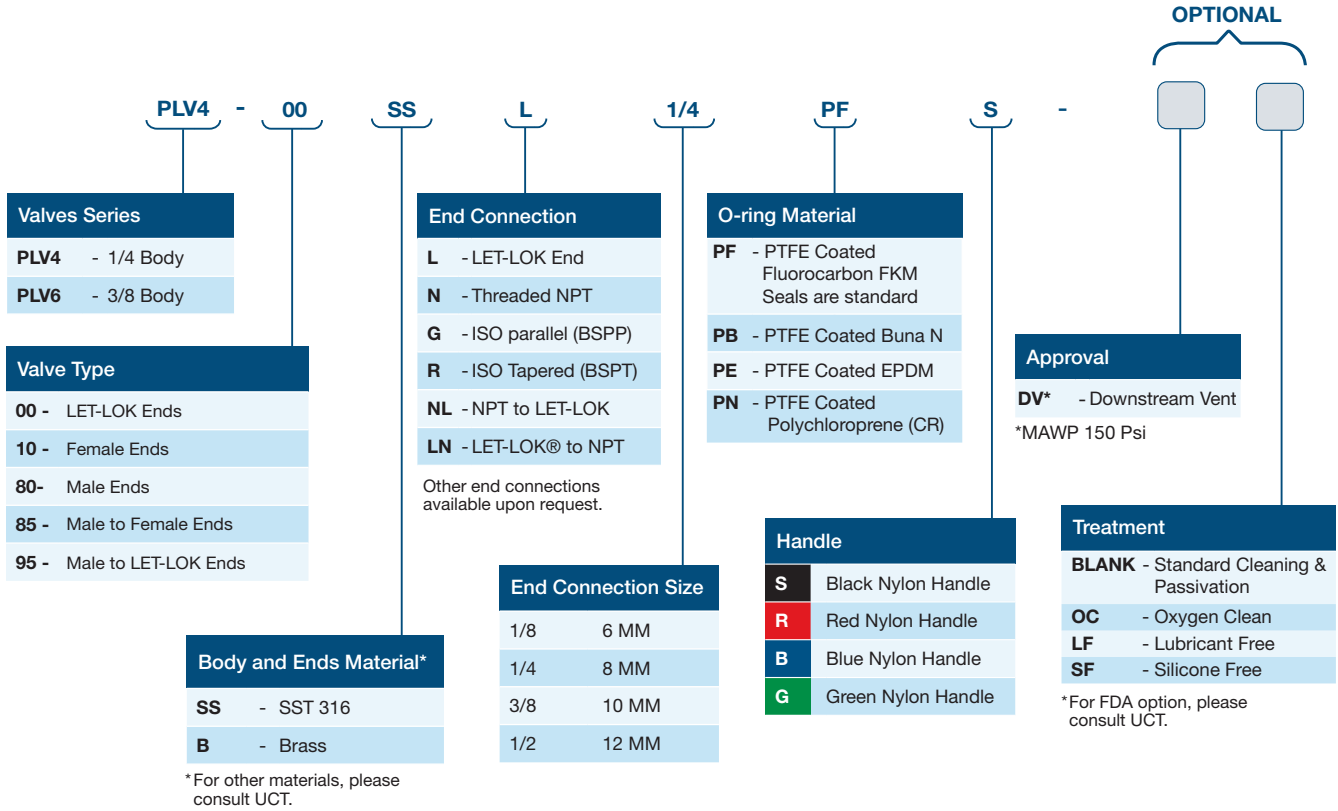
Dimensions are for reference only and subject to change.

DOWNSTREAM VENT



- In the closed position the plug valve allows the release of pressure to the atmosphere.
- The maximum working pressure for downstream vents is 150 psig.

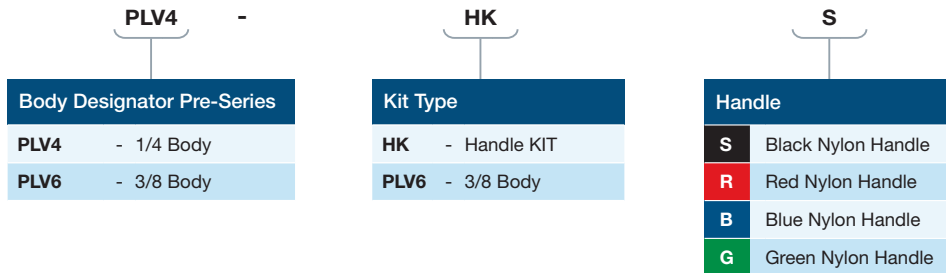
PLV SERIES ORDERING INFORMATION



ORDERING INFORMATION FOR SPARE KIT

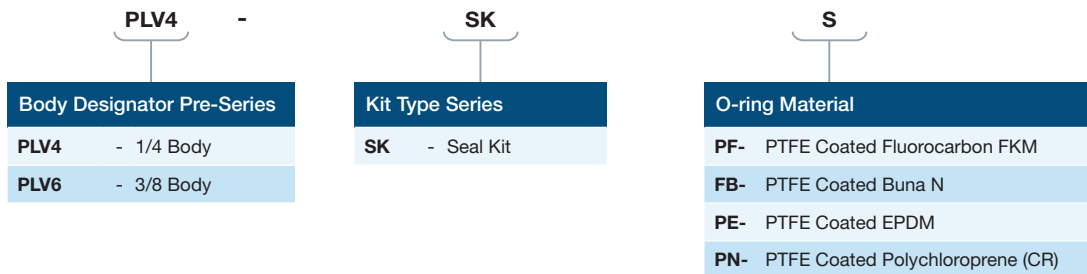
HANDLE KIT

Handle Kit includes handle and pin. To order a spare-parts kit, use the following format:



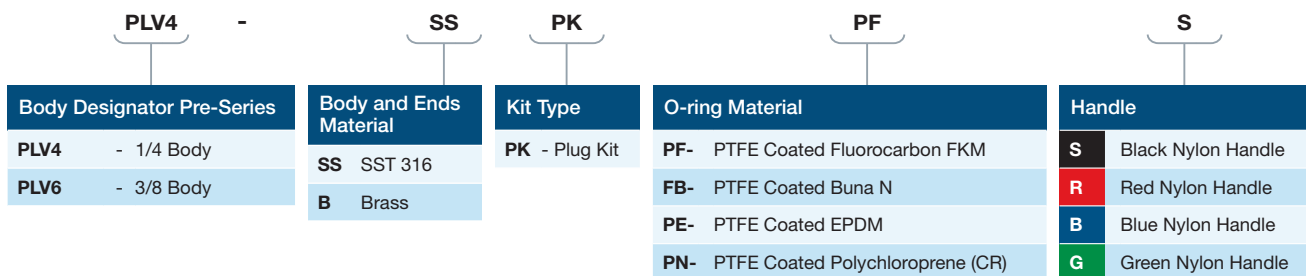
SEAL KIT

Sale Kit includes 3 O-rings. To order a spare parts kit, use the following format:



PLUG KIT

Plug Kit includes handle, plug and 3 O-rings. To order a spare -parts kit, use the following format:



Warning!

The system designer and user have the sole responsibility for selecting products suitable for their special application requirements, ensuring their safe and trouble-free installation, operation, and maintenance. Application details, material compatibility and product ratings should all be considered for each selected product. Improper selection, installation or use of products can cause property damage or personal injury.