



TWO-PIECE BALL VALVES

HAM-LET H-700 SERIES



FEATURES

- Certified for ISO 15848-1 :2006(E)
- Blow-out Proof Stem
- Stainless Steel construction
- Locking Handle in On and Off positions
- MAWP 2000 psi (137 Barg)
- MAWT 400°F (204°C)
- Flow coefficient (Cv) 1.25 to 17.35
- Size range: 1/4" to 1" or 6mm to 25mm

GENERAL

The H-700 Series is a moderate-pressure ball valve for general purpose. These valves are compact in size and structure.

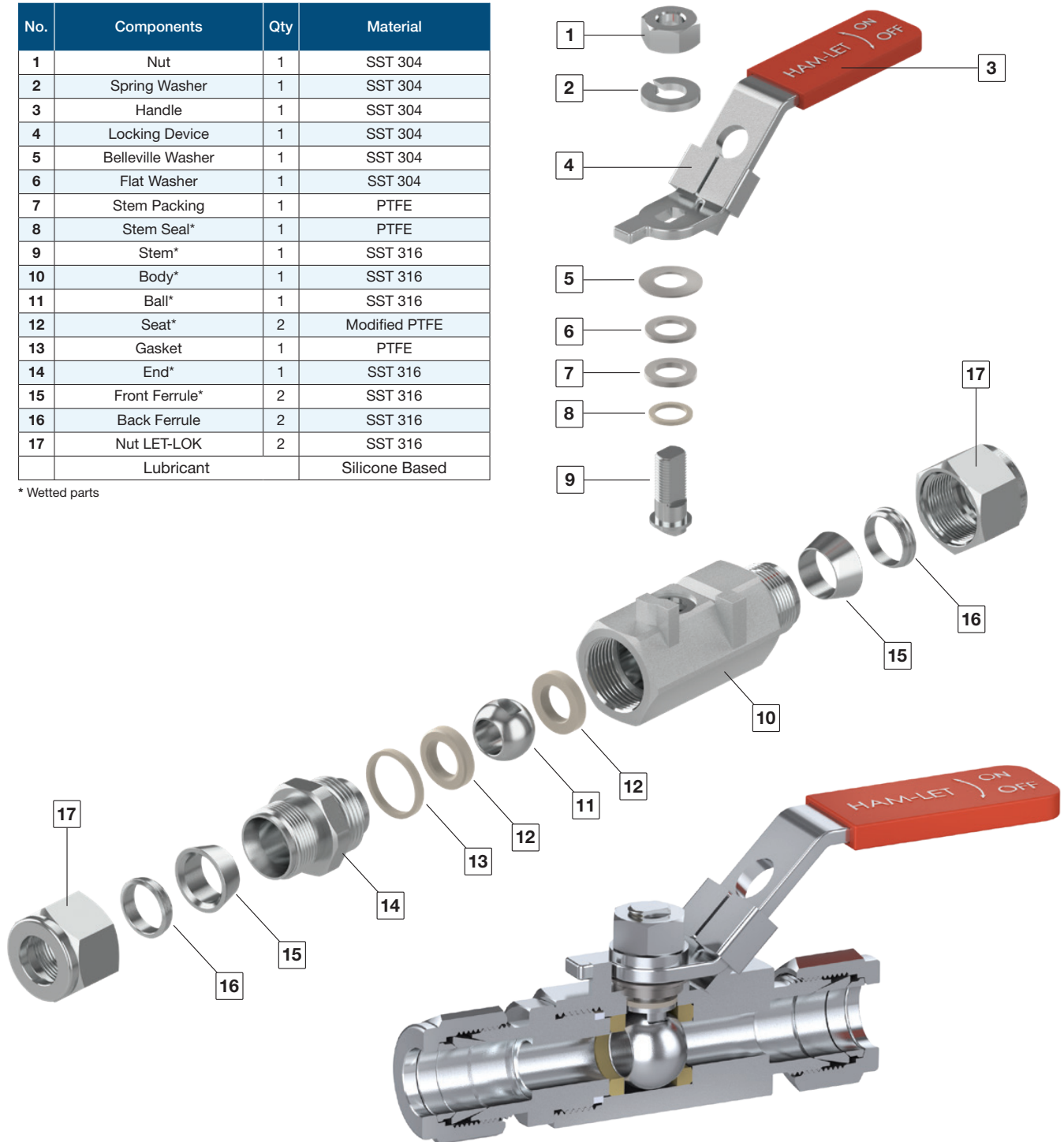
They have relatively large ports for a high flow, tight shut-off, a long service life, and a low operating torque.

The H-700 Series can be used for bidirectional flow in a fully open or fully closed position only. The series is rated at max pressure of 2000 psig (135 bar) and performs as on/off valve.

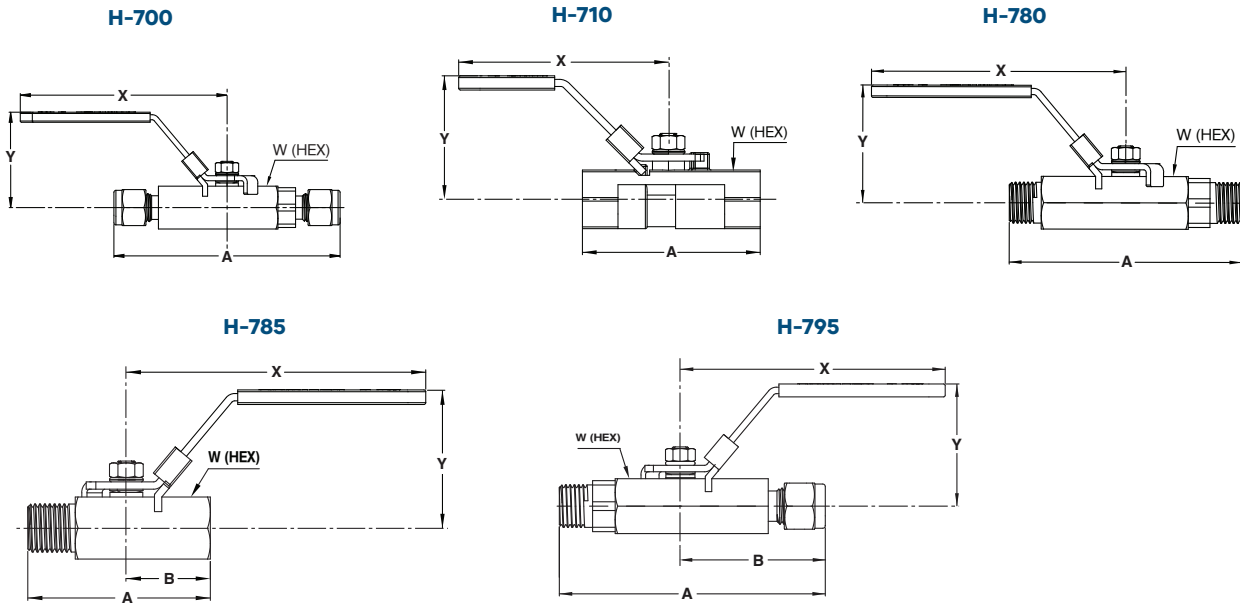
MATERIALS OF CONSTRUCTION

No.	Components	Qty	Material
1	Nut	1	SST 304
2	Spring Washer	1	SST 304
3	Handle	1	SST 304
4	Locking Device	1	SST 304
5	Belleville Washer	1	SST 304
6	Flat Washer	1	SST 304
7	Stem Packing	1	PTFE
8	Stem Seal*	1	PTFE
9	Stem*	1	SST 316
10	Body*	1	SST 316
11	Ball*	1	SST 316
12	Seat*	2	Modified PTFE
13	Gasket	1	PTFE
14	End*	1	SST 316
15	Front Ferrule*	2	SST 316
16	Back Ferrule	2	SST 316
17	Nut LET-LOK	2	SST 316
	Lubricant		Silicone Based

* Wetted parts



STANDARD CONFIGURATION DIMENSIONS



Drawings are for reference only.

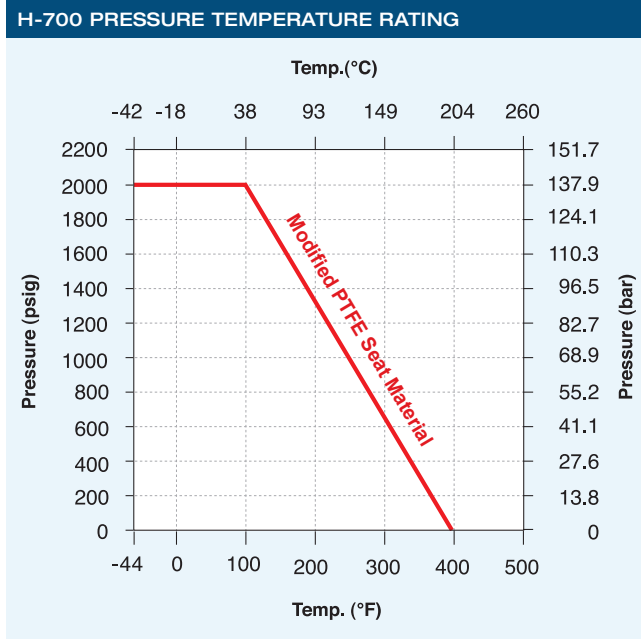
End Connection		Valve Type	Body Material	Cv	Orifice		A		B		X		Y		W (HEX)			
Type	Size				mm	inch	mm	inch	mm	inch	mm	inch	mm	inch	mm	inch	mm	inch
Fractional Let-Lok® Tube Fittings	1/4	H-700	SST ASTM A-479	1.25	4.8	0.19	90	3.54	-	-	82	3.23	38	1.5	17	-		
	3/8			2.5	7.2	0.28	90	3.54	-	-	82	3.23	40	1.57	21	-		
	1/2		ASTM A351 Gr.CF8M	9.25	9.2	0.36	95.3	3.75	-	-	82	3.23	40.7	1.6	25	-		
	3/4			12.65	12.5	0.49	113.4	4.46	-	-	82	3.23	44.5	1.75	32	-		
	1			17.35	15	0.59	129.6	5.1	-	-	102	4.02	50	1.97	38	-		
Metric Let-Lok Tube Fittings	6MM		SST ASTM A-479	1.25	4.8	0.19	90	3.54	-	-	82	3.23	38	1.5	17	-		
	8MM			1.35	4.8	0.19	90	3.54	-	-	82	3.23	40	1.57	17	-		
	10MM		ASTM A351 Gr.CF8M	2.6	7.2	0.28	90	3.54	-	-	82	3.23	40	1.57	-	13/16		
	12MM			9.25	9.2	0.36	95.3	3.75	-	-	82	3.23	40.7	1.6	25	-		
	25MM			17.35	15	0.59	129.6	5.1	-	-	102	4.02	50	1.97	38	-		
Female NPT	1/4	H-710	ASTM A351 Gr.CF8M	1.35	5	0.2	50	1.97	-	-	60	2.64	47	1.85	16.5	-		
	3/8			2.6	7	0.28	60	2.36	-	-	82	2.64	49	1.93	-	13/16		
	1/2			9.25	9	0.35	75	2.95	-	-	82.5	3.25	42.9	1.69	25	-		
	3/4			12.65	12.5	0.49	59	2.32	-	-	85	3.35	44	1.73	32	-		
	1			17.35	15	0.59	71	2.8	-	-	102	4.02	50	1.97	41	-		
Male NPT	1/4		H-780	SST ASTM A-479	1.35	5	0.2	75.0	2.95	-	-	82	3.23	38	1.5	17	-	
	3/8				2.5	7	0.28	75.0	2.95	-	-	82	3.23	40	1.57	21	-	
	1/2			9.25	9.2	0.36	90.9	3.56	-	-	82	3.23	40.7	1.6	25	-		
Male to Female NPT	1/4			H-785	SST ASTM A-479	1.35	5	0.2	50	1.97	24.85	0.98	82	3.23	38	1.5	17	-
	1/2				9.25	9	0.35	82.95	3.26	37.5	1.47	82	3.23	56.6	2.23	27	-	
Male NPT to Let-Lok Tube Fittings	1/4	H-795		ASTM A351 Gr.CF8M	17.35	15	0.59	115.20	4.53	4.53	1.79	102	4.02	53	2.09	-	1-3/4	
	3/8		1.25		5	0.2	77.56	3.05	45.0	1.77	82	3.23	38	1.5	17	-		
	1/2		2.5		7	0.28	79.46	3.13	45.0	1.77	82	3.23	40	1.57	21	-		
	3/4		9.25		9.2	0.36	93.16	3.67	47.7	1.88	82	3.23	40.7	1.6	25	-		
	1		12.65		12.5	0.49	110.63	4.35	56.7	2.23	82	3.23	44.5	1.75	32	-		
				17.35	15	0.59	127.4	50.01	64.8	2.55	102	4.02	50	1.97	38	-		

Dimensions are for reference only and are subject to change without notice.

CLEANING & PACKAGING

Every H-700 series ball valve is cleaned in accordance with Standard Cleaning and Packaging (procedure 8184). Oxygen Clean & Lubricant-Free Cleaning and Packaging, in accordance with Special Cleaning and Packaging (procedure 8185), is available as an option.

⚠ Lubricant-free cleaned valves have significantly higher actuation torque.



TESTING

The H-700 design is tested for burst and pressure. Standard testing for each H-700 valve includes testing with Nitrogen at 80 & 1000 psig. Each valve is tested for leakage through the shell, packing and ball seats. The maximum allowable leakage across the ball seats is 0.1 std cc/min.

SEAT MATERIAL CHARACTERISTICS

Modified PTFE-(PFA and PTFE composite)-Color: Bright white.

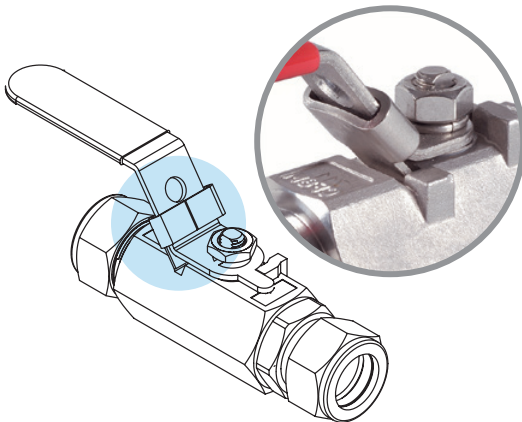
Modified PTFE is an excellent seat material for purity applications and has a very low residual material during operation. It has a lower deformation ratio than PTFE, but a higher pressure and temperature rating. Chemical resistance is equal to PTFE material.

PACKING ADJUSTMENT

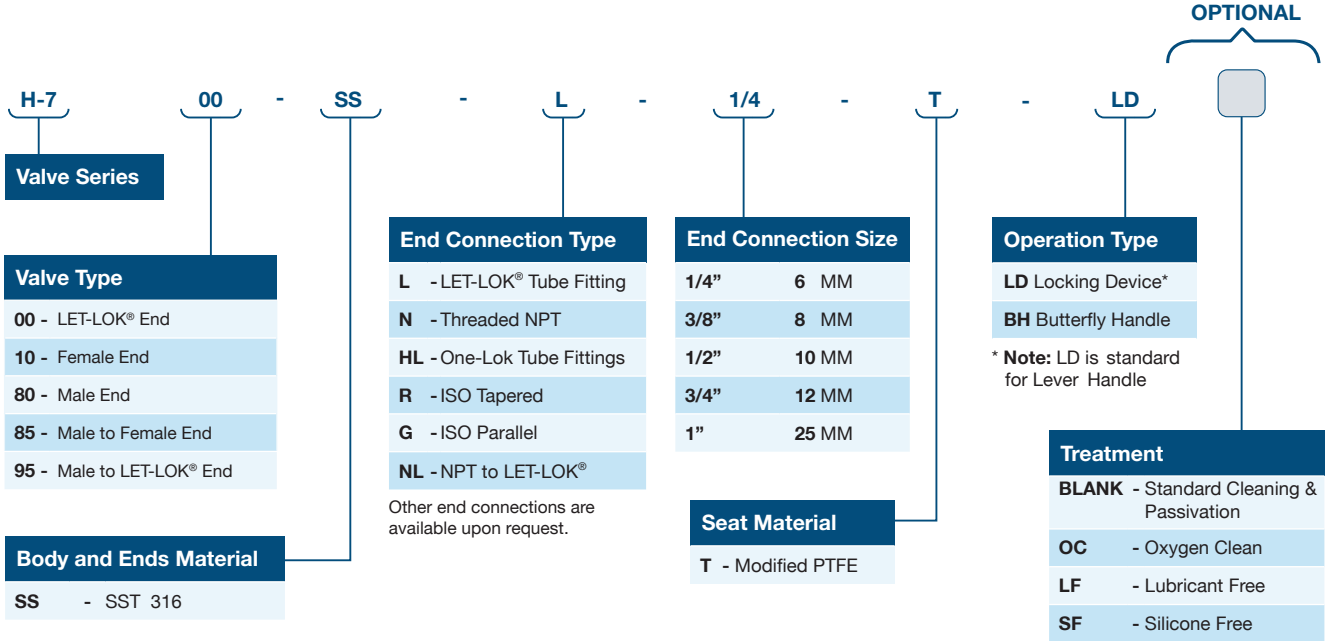
Due to the varied service applications of the valve, packing adjustment may occasionally be necessary. Packing is factory adjusted to 1000 psig service. Please find more information on H-700 under the installation instructions.

- ⚠ Initial packing adjustment is recommended after installation and prior to start-up**
- ⚠ HAM-LET Ball Valves are designed to be operated in the fully closed or fully open position**
- ⚠ Valves that have not been operated for a period of time will introduce a higher actuation torque**

LOCKING DEVICE MECHANISM



H-700 SERIES ORDERING INFORMATION



This document is proprietary to UCT and may not be copied, duplicated or used without the permission of UCT. UCT reserves the right to make changes to any portion of this document at any time without notice. The information furnished by UCT in this document is believed to be accurate and reliable. However, UCT assumes no responsibility for its use or for errors or omissions. All trademarks, models, names and logos in this catalogue are subject to the rights of UCT, unless indicated otherwise.